

V617

V1322

V1333

- Air cooled shakers producing 1050 lbf (4.67 kN) to 12000 lbf (53.4 kN)
- Vertical isolation mounds
- Isolated trunnions
- Monobase with slip tables
- Air glides and guidance systems



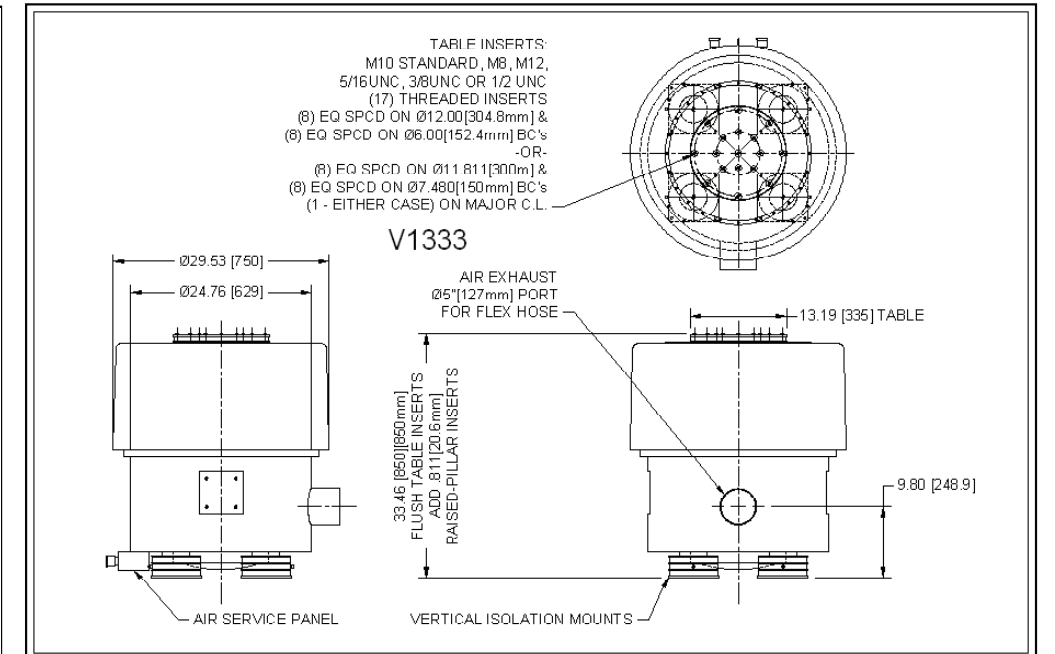
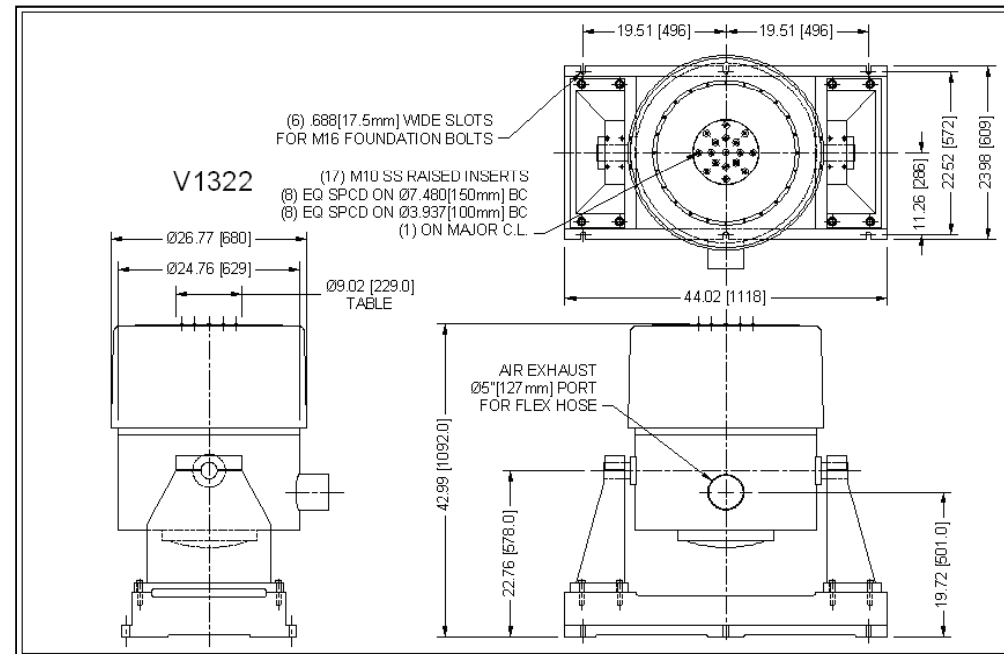
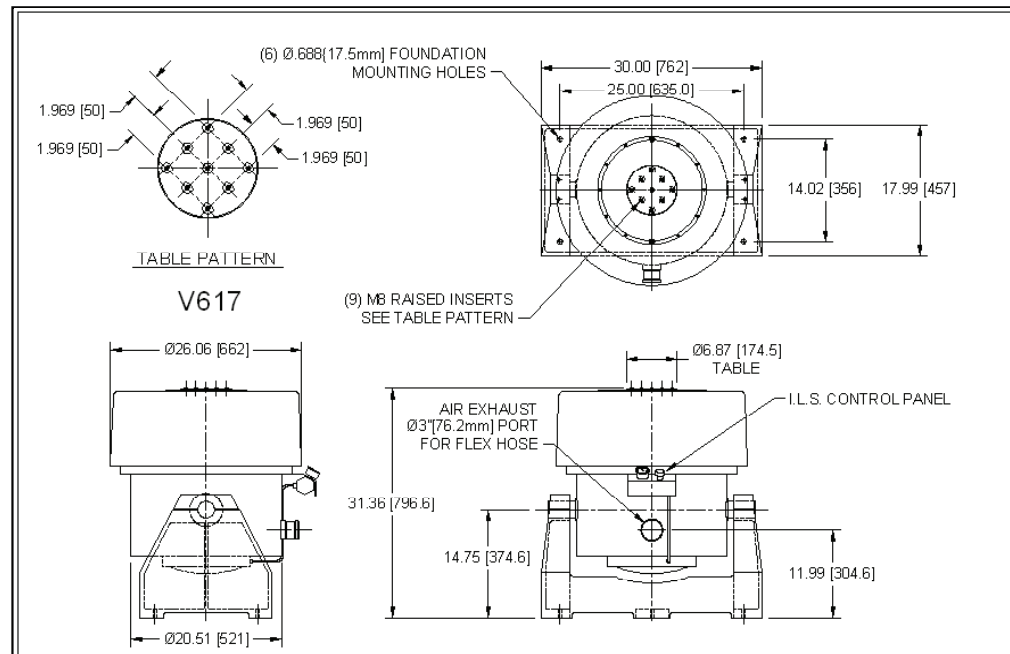
The V617 and V1322 provide a versatile solution when an intermediate force level is required, together with a peak to peak displacement of 51mm. Both shakers have two force ratings, depending on the power amplifier configuration provided. As an option, to reduce energy consumption and the cost of ownership, it is possible to have the amplifiers configured for low field operation, selectable by the user. The V617 and V1322 offer high reliability and low maintenance. These shakers have found many diverse applications and are in service in many regions of the world.

**SignalForce**  
**Shakers**

	Maximum Sine Force			Maximum Random Force			Maximum Shock Force*			Maximum Acceleration (Sine)		Maximum Velocity		Rated Travel Peak to Peak		Armature Diameter		Armature Mass		Insert Threads		Armature Resonance $\pm 5\%$	Frequency Range		Static Payload Support		Shaker Body Mass		Stray Magnetic Field @ 25 mm above table		Heat Dissipation (kW)			Acoustic Noise @ 1m		Electrical Power Consumption
	lbf	N	kgf	lbf	N	kgf	lbf	N	kgf	g	m/s <sup>2</sup>	ips	mps	in.	mm	in.	mm	lbs.	kg	SAE	Metric		Hz	Min	Max	lbs	kg	lbs.	kg	mT	Gauss	Shaker	Amplifier	Blower	Amplifier	
V617/DSA4-4k	1050	4670	476	900	4003	408	2226	9900	1010	70	687	60	1.52	2.0	51	6.9	174.5	15.0	6.8	5/16-18	M8	2350	DC	3000	198	90	1387	629	<.5	5.0	0.4	0.6	3.6	63	75	9.8
V617/DSA4-8k	1500	6672	680	1025	4560	465	3180	14145	1442	100	981	60	1.52	2.0	51	6.9	174.5	15.0	6.8	5/16-18	M8	2350	DC	3000	198	90	1387	629	<.5	5.0	0.4	0.8	5.1	63	75	11.4
V1322/DSA4-8k	1633	7264	741	1499	6670	680	3462	15400	1570	54	534	71	1.8	2.0	51	9.0	229	30.0	13.6	3/8-16	M10	2250	DC	3000	353	160	2269	1029	<.5	5.0	0.9	0.8	7	63	72	17.5
V1322/DSA4-12k	2457	10930	1115	2248	10000	1020	5209	23172	2363	82	804	71	1.8	2.0	51	9.0	229	30.0	13.6	3/8-16	M10	2250	DC	3000	353	160	2269	1029	<.5	5.0	0.9	1	8.4	63	72	20.7
V1333/DSA4-8k	1633	7264	741	1499	6670	680	3462	15400	1570	41	404	71	1.8	2.0	51	13.2	335	39.7	18.0	3/8-16	M10	2550	DC	3000	353	160	2269	1029	<.5	5.0	0.9	0.8	7	63	72	17.5
V1333/DSA4-12k	2457	10930	1115	2248	10000	1020	5209	23172	2363	62	607	71	1.8	2.0	51	13.2	335	39.7	18.0	3/8-16	M10	2550	DC	3000	353	160	2269	1029	<.5	5.0	0.9	1	8.4	63	72	20.7

\*Note- At 3 mSec

# SignalForce



# Options

- Air isolated mounts for vertical testing only. Resonance below 5Hz
- Rubber isolation mountings for vertical only testing. Resonance below 5Hz
- Fully isolated trunnions to support both vertical and horizontal testing. Resonance below 5Hz
- Air glides to provide mobility when shakers are used in conjunction with climatic chambers.
- V-groove wheels and rails to provide accurate guidance below chambers.
- Monobase systems to provide three axis testing with slip tables
- Motorized guidance to accurately maneuver monobase systems below chambers.
- Head expanders
- Fixtures
- Thermal barriers
- Acoustic enclosures
- Weatherproof enclosures for cooling blowers
- Economy field supply to reduce power consumption



Discover more at [www.dataphysics.com](http://www.dataphysics.com)

## Data Physics Corporation

1741 Technology Drive, Suite 260, San Jose, CA 95110  
TEL: (408) 437-0100 FAX: (408) 437-0509

