

8044, 9044

14560, 18060

20060, 22260

- Shakers from 18000 lbf (80kN) to 50000 lbf (222 kN)
- 7 configurations
- All Models are water cooled. Large force systems include chillers
- Dual Hydrostatic Bearings
- Good axial and torsional stability
- Special suspension options
- Automatic Load Support and armature centering
- Payload Support up to 3000 lbs (1365 kg)



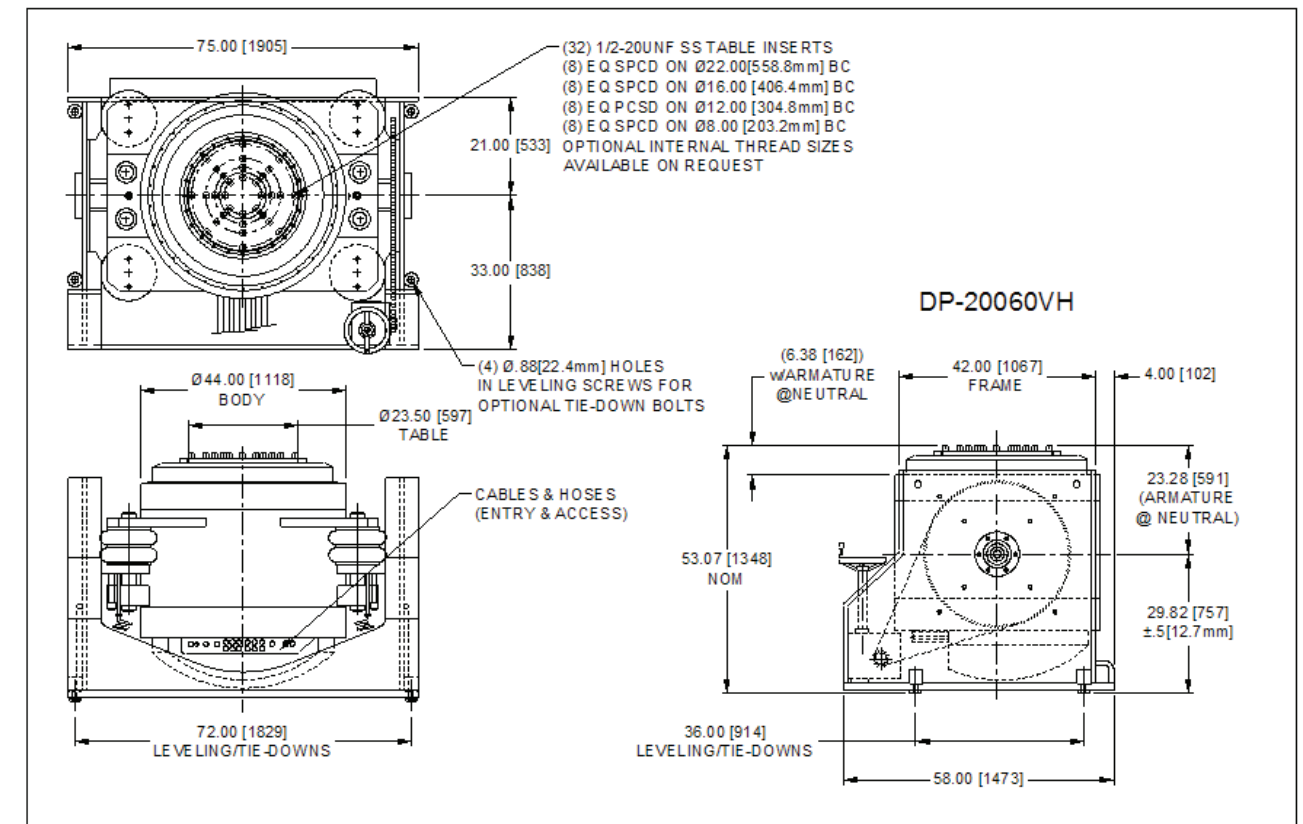
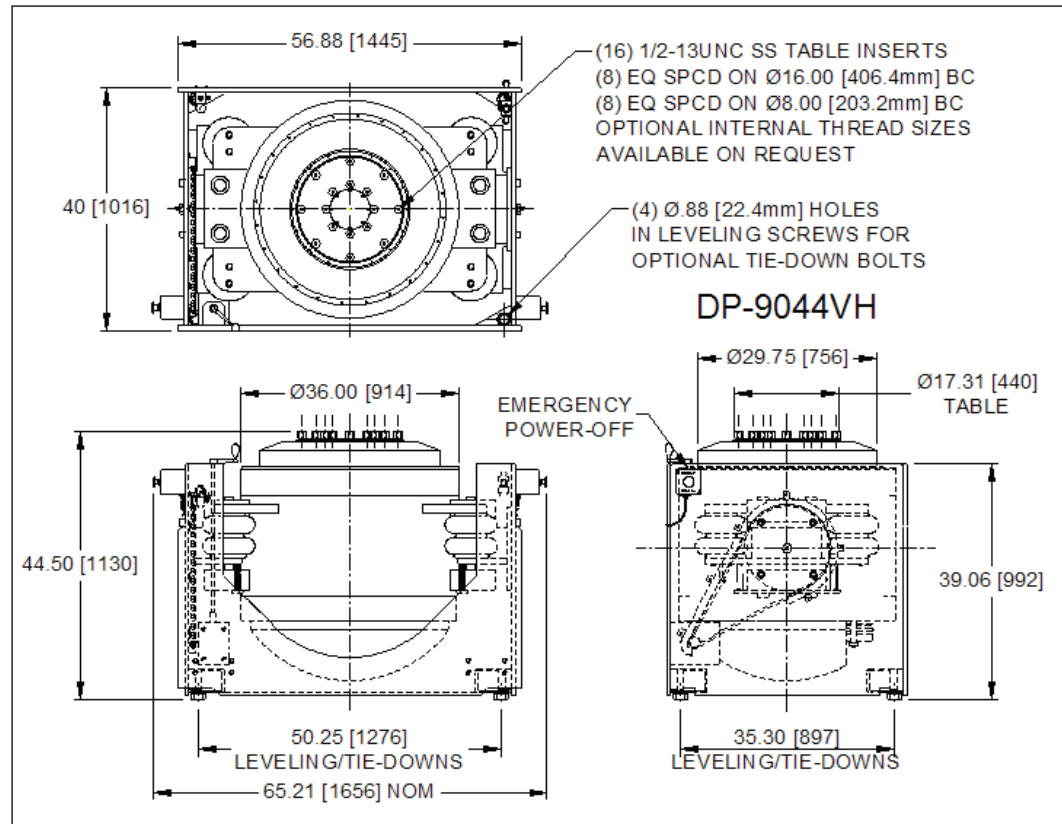
Data Physics' range of water cooled shakers are used for many different applications, such as testing automotive sub-assemblies, military and defense components, large electronic components, and even fully assembled satellites. By utilizing the dual hydrostatic bearings that are incorporated in the shaker design, payloads with high overturning moments can be tested without the need for external guidance systems. The water cooled shakers may also be supplied with horizontal slip table systems for 3 axis testing.

SignalForce
Shakers

	Maximum Sine Force			Maximum Random Force			Maximum Shock Force*			Maximum Acceleration (Sine)		Maximum Velocity		Rated Travel (p-p)		Armature Diameter	Armature Mass	Insert Threads		Insert Pattern (Bolt Circle Diameter)		Armature Resonance ±5%	Stray Magnetic Field at 6" (150mm) above table	Frequency Range		Static Payload Support		Shaker Body Mass		Heat Dissipation (kW)		Electrical Power Consumption (kVA)		
	lbf	N	kgf	lbf	N	kgf	lbf	N	kgf	g	m/s ²	ips	mps	in.	mm	in.	mm	lbs.	kg	SAE	Metric	SAE	Metric		Min.	Max.	lbs	kg	lbs.	kg	Shaker	Amplifier		
DP-8044/DSA6-72K	18000	80000	8160	12995	57800	5895	39565	176000	17950	140	1373	71	1.8	2.0	50	17.3	440	125	57	3/8-16	M-10	8,16	203,406	2300	<10 gauss	5	3000	2000	905	8000	3630	80	7.5	140
DP-9044/DSA10-160K	20250	90000	9175	16005	71200	7260	44510	198000	20190	160	1569	71	1.8	2.0	50	17.3	440	125	57	3/8-16	M-10	8,16	203,406	2300	<10 gauss	5	3000	2000	905	8000	3630	85	16	210
DP-9044/DSA10-200K	20250	90000	9175	20000	89000	9075	44510	198000	20190	160	1569	71	1.8	2.0	50	17.3	440	125	57	3/8-16	M-10	8,16	203,406	2300	<10 gauss	5	3000	2000	905	8000	3630	90	20	225
DP-14560/DSA10-200K	32600	145000	14785	28000	124600	12705	71715	319000	32530	125	1226	71	1.8	2.0	50	23.6	600	260	118	1/2-13	M-12	8,12,16,22	203,305,406,559	1750	<10 gauss	5	2000	3000	1365	14000	6350	144	20	225
DP-18060/DSA10-200K	40500	180000	18355	36000	160000	16315	89025	396000	40380	155	1520	71	1.8	2.0	50	23.6	600	260	118	1/2-13	M-12	8,12,16,22	203,305,406,559	1750	<10 gauss	5	2000	3000	1365	14000	6350	175	20	250
DP-20060/DSA10-300K	45000	200000	20395	36300	161400	16460	98915	440000	44870	160	1569	71	1.8	2.0	50	23.6	600	260	118	1/2-13	M-12	8,12,16,22	203,305,406,559	1700	<10 gauss	5	2000	3000	1365	14000	6350	185	30	385
DP-22260/DSA10-360K	50000	222000	22640	40500	180000	18355	109800	488400	49805	180	1765	71	1.8	2.0	50	23.6	600	260	118	1/2-13	M-12	8,12,16,22	203,305,406,559	1700	<10 gauss	5	2000	3000	1365	14000	6350	200	40	402

*Note- At 3 mSec

SignalForce



Options

- Custom designed head expanders utilizing 3-D modeling and FEA analysis for maximum performance
- Rigid trunnions available for all models
- Various amplifier configurations for maximized efficiency
- Three axis testing configurations for all models
- Metric and imperial table threads



Discover more at www.dataphysics.com

Data Physics Corporation

2025 Gateway Place, Suite 260, San Jose, CA 95110-1015
TEL: (408) 437-0100 FAX: (408) 437-0509

